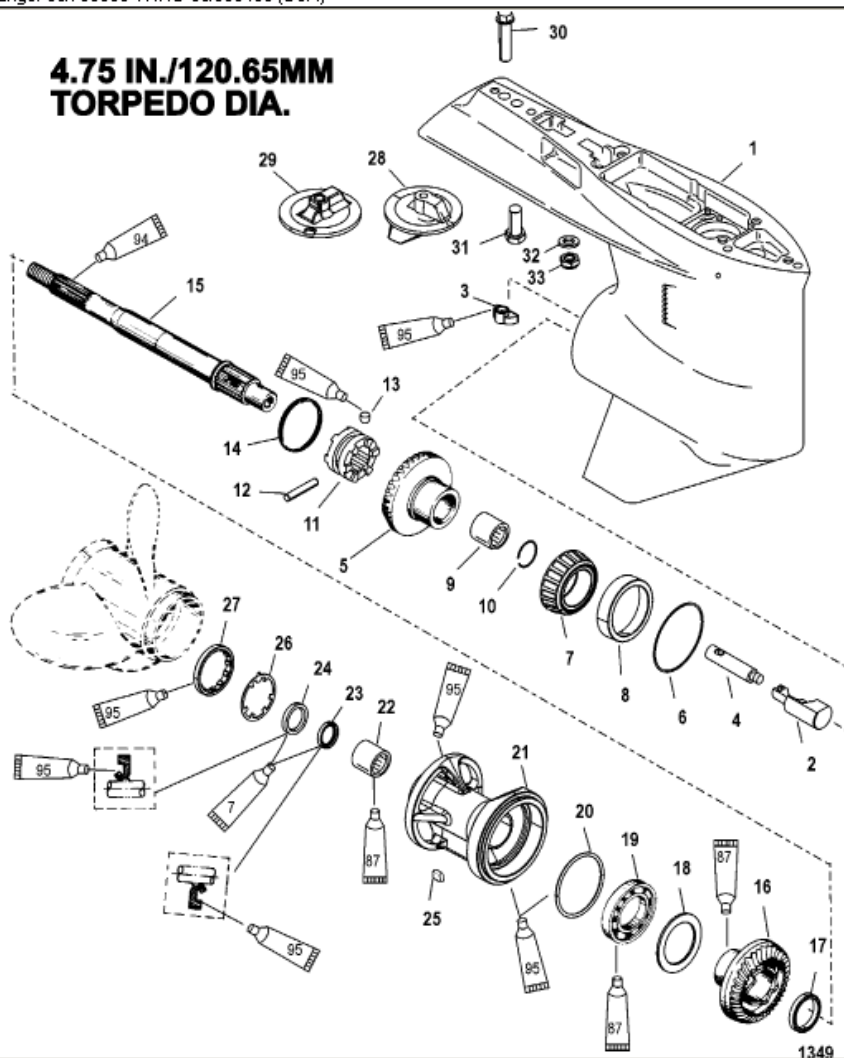


**4.75 IN./120.65MM
 TORPEDO DIA.**



Parts List						
Ref	Class	Part	Description	Qty	Comment	Footnote
-	1647	9148784	GEAR HOUSING-COMPLETE	1	(Long-1.87:1)	
-	1647	9148785	GEAR HOUSING-COMPLETE	1	(X-Long-1.87:1)	
-	1647	9148781	GEAR HOUSING-COMPLETE	1	(Long-2:1)	
-	1647	9148782	GEAR HOUSING-COMPLETE	1	(X-Long-2:1)	
1	1647	9148793	GEAR HOUSING, (Basic)	1		
2		89594A 1	FOLLOWER	1		
3		78956 2	SHIFT CAM	1		
4		828287	ROD	1		
5	43	828174A 2	GEAR SET	1	(1.87:1 - 15/28)(150)	
5	43	828176A 2	FORWARD GEAR	1	(2:1 - 14/28)(135)	
6	15	44491A 1	SHIM SET	AR		
7	31	30894A 1	BEARING SET, (Cup And Cone)	1		
8		NSS	Not Sold Separate, Cup	1		
9	31	30895	ROLLER BEARING	1		
10	53	856823	RETAINING RING	1		
11	52	854735T	SLIDING CLUTCH	1		
12	17	30632	CROSS PIN	1		
13	17	828356	DETENT PIN	1		
14	24	30893	SPRING	1		
15	44	94148	PROPELLER SHAFT	1		
16	43	828175A 1	REVERSE GEAR, (1.87:1 - 15/28)	1	(150)	
16	43	828177A 1	REVERSE GEAR, (2:1 - 14/28)	1	(135)	
17	23	824108	SPACER	1		
18		68100 1	RING-THRUST	1		
19	30	88957	BEARING ASSEMBLY-BALL	1		
20	25	31534	O RING	1		2,15
21		43567A 1	BEARING CARRIER ASSEMBLY	1		
22	31	30956	ROLLER BEARING	1		
23	26	14077	SEAL-OIL (INSIDE)	1		
24	26	76868	SEAL (OUTSIDE)	1		15
25	28	30281	KEY	1		
26	14	79447	TAB WASHER	1		
27		79448	RETAINER	1		
28		31640 5	TRIM TAB	1		
29		76214Q 5	ANODIC PLATE ASSEMBLY	1		
30	10	806327	SCREW, (.437-14 x 1.750)	1		
31	10	65210	SCREW, (.375-16 x 1.00)	1		
32	12	45176	WASHER	2		
33	11	826710 15	NUT, (.437-20)	2		
-	26	89238A 2	SEAL KIT	1		
-	27	914754A 98	GASKET SET	1		